

Ecolink New Tech Company Limited

Commodity Specification (GCM CUP & NP LID)

Customer : Veres és Társai
Product : Ecoinno Tableware
Product name : 2oz Sauce Cup & Lid
Date : 1st March 2024

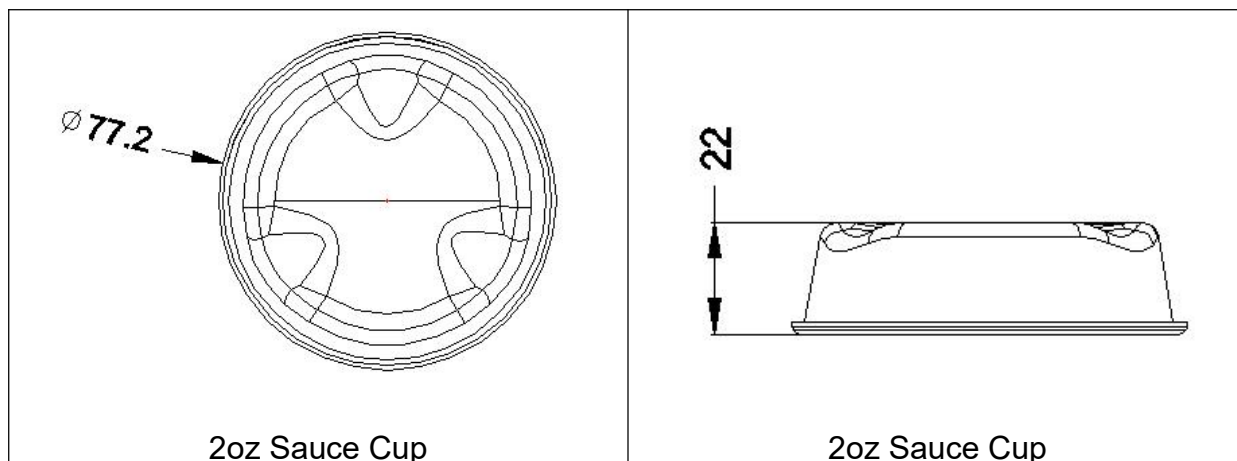
ECOLINK NEW TECH CO. LTD.		
Quality Assurance	Approve	Date
張仲長	芳尔輝	2024-3-2
Veres és Társai		
Inspection Department	Approve	Date

1、 Product details

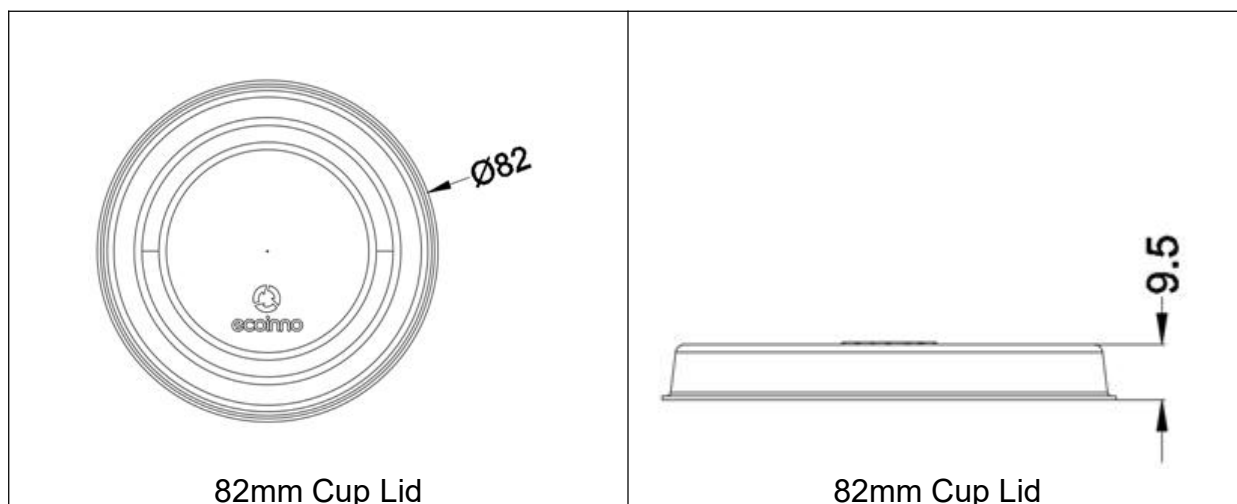
Product	Details
Product name and style number	2oz Sauce Cup, CP0R0071 82mm Cup Lid, LD0R0082GN
Material	Plant Fiber
Color	Natural
Waterproof	GCM CUP: High performance with oil resistance and water resistance. NP LID: Water resistance.

2、 Overall dimension

2.1 Cup (measurement in mm, tolerance of length, width & height within $\leq 3\%$)



2.2 Cup Lid (measurement in mm, tolerance of length & width within $\leq 3\%$, height $\leq 7\%$)



2.3 Definition for product external & Internal

Internal : body inner of product

External : outer body of product



2oz Sauce Cup



z Sauce Cup

2o



82mm Cup Lid



82mm Cup Lid