

Ecolink New Tech Company Limited

Commodity Specification (GCM BOWL & NP LID)

Customer : Veres és Társai
Product : Ecoinno Tableware
Product name : 12oz Bowl & Lid
26oz Bowl & Lid
Date : 1st March 2024

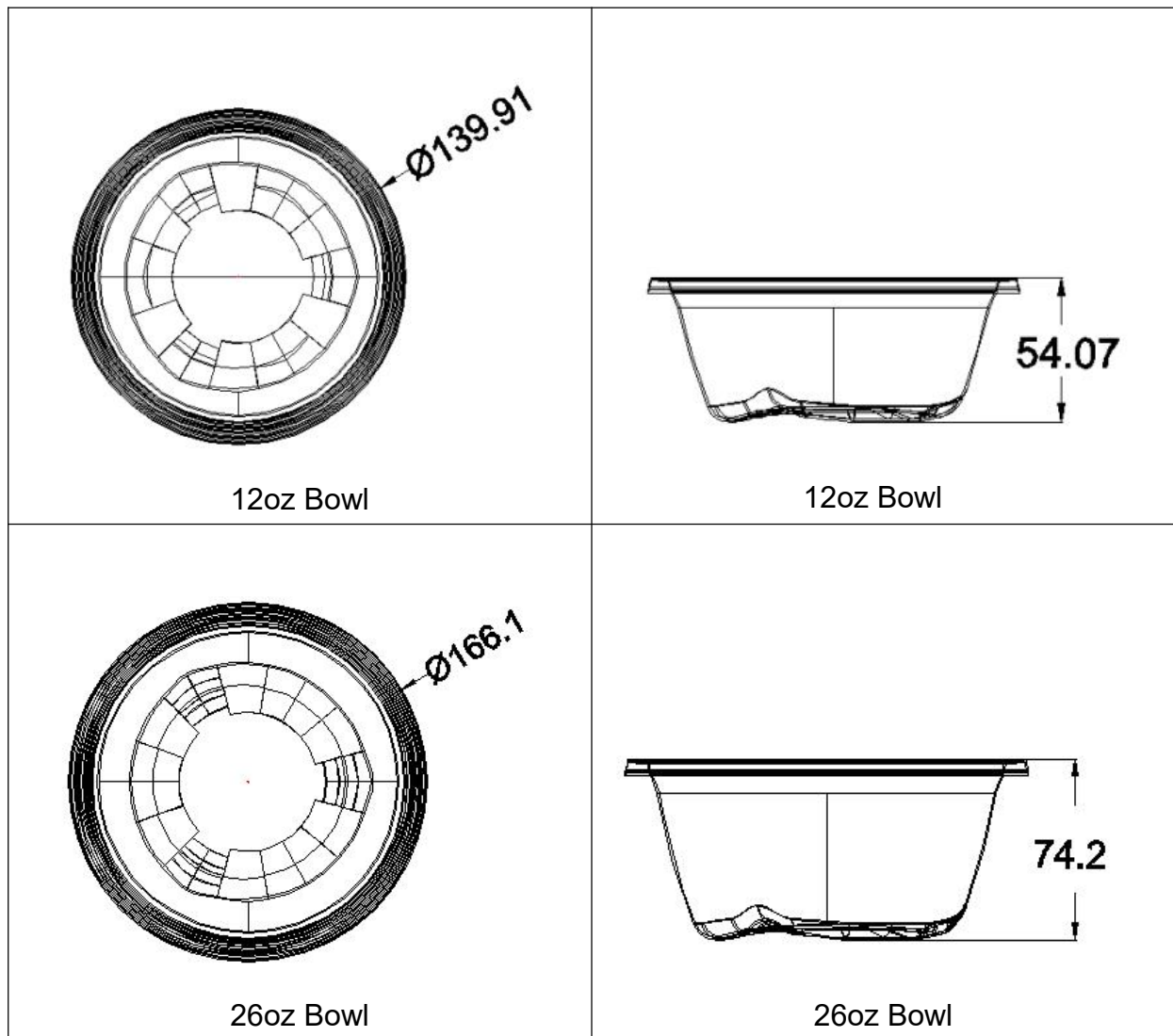
ECOLINK NEW TECH CO. LTD.		
Quality Assurance	Approve	Date
蔣介中	勞永輝	2024.3.2
Veres és Társai		
Inspection Department	Approve	Date

1、 Product details

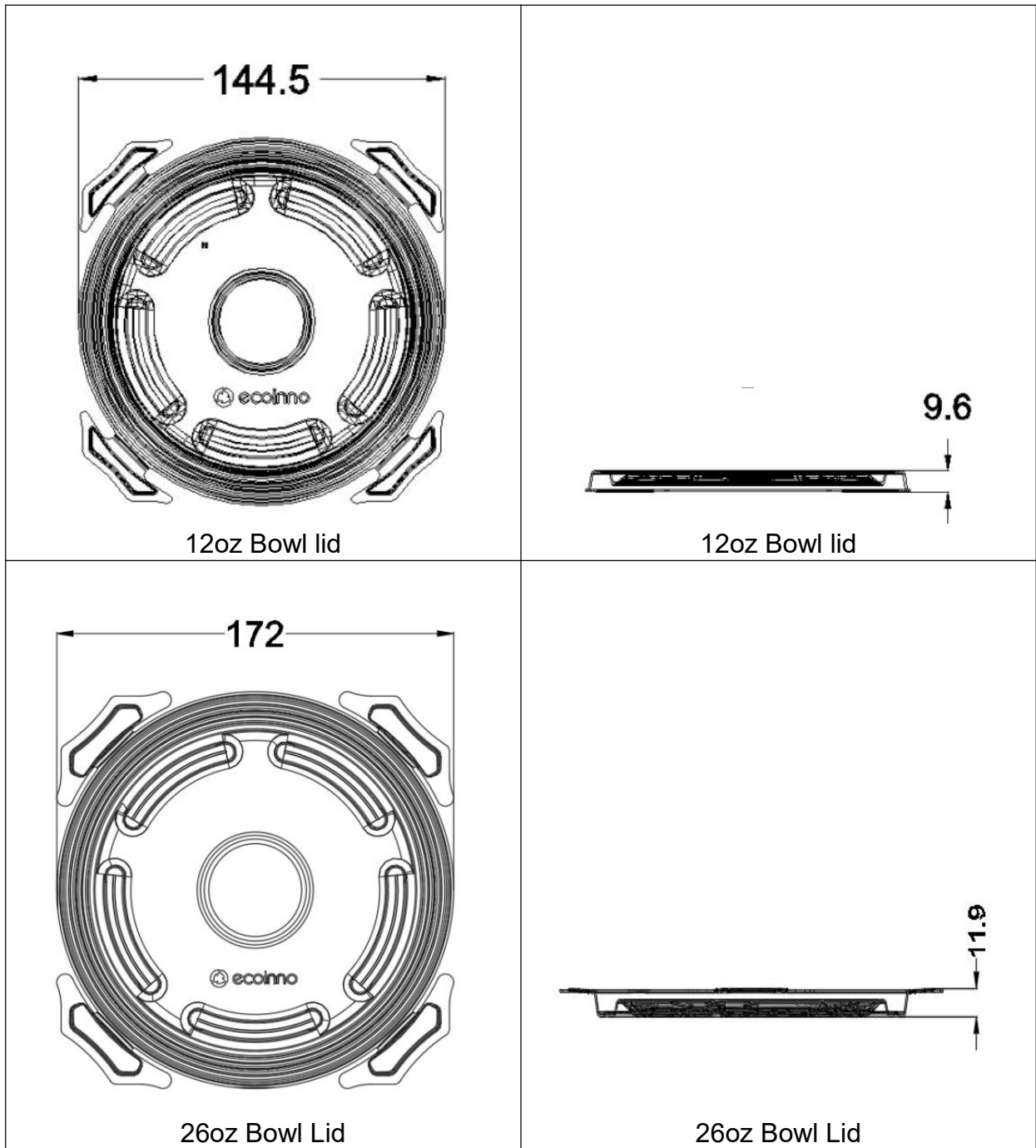
Product	Details
Product name and style number	12oz Bowl, BL0R00121V2 12oz Bowl Lid, BLD0R0012V2GN 26oz Bowl, BL0R00261V2 26oz Bowl Lid, BLD0R0026V2GN
Material	Plant Fiber
Color	Natural
Waterproof	GCM BOWL: High performance with oil resistance and water resistance. NP LID: Water resistance.

2、 Overall dimension

2.1 Bowl (measurement in mm, tolerance of length, width & height within $\leq 3\%$)



2.2 Bowl Lid (measurement in mm, tolerance of length & width within $\leq 3\%$, height $\leq 7\%$)



2.3 Definition for product external & Internal

Internal : body inner of product

External : outer body of product



12oz Bowl



12oz Bowl



26oz Bowl



26oz Bowl



12oz Bowl lid



12oz Bowl lid



26oz Bowl lid



26oz Bowl lid