

Ecolink New Tech Company Limited

Commodity Specification (GCM CLAYPOT & NP LID)

Customer : Veres és Társai
Product : Ecoinno Tableware
Product name : 910ml Claypot & Lid
Date : 1st March 2024

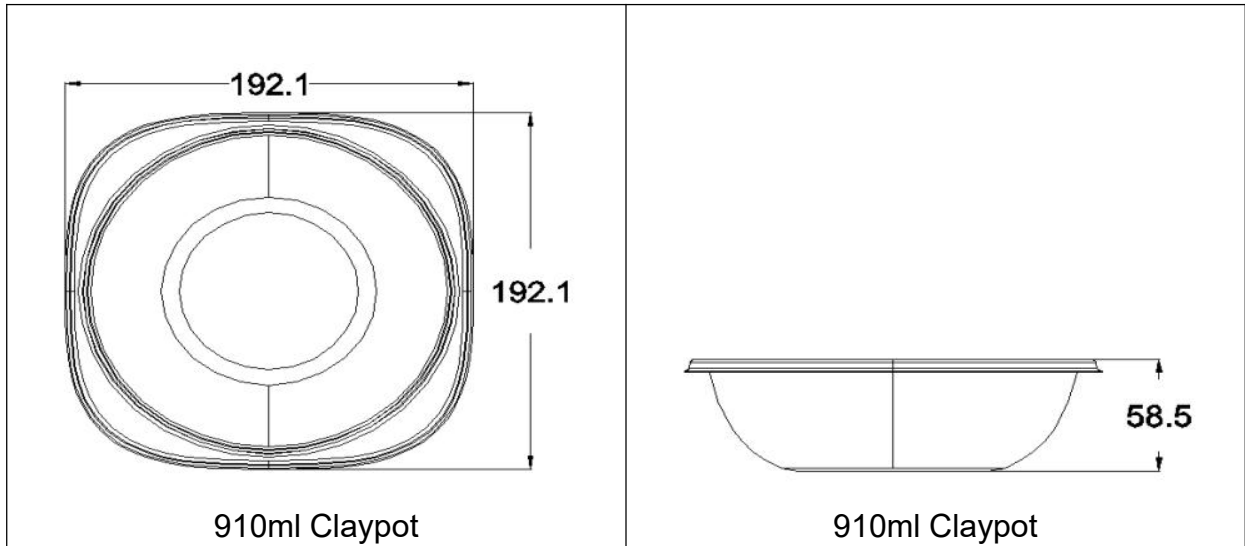
ECOLINK NEW TECH CO. LTD.		
Quality Assurance	Approve	Date
李仲林	苏子辉	2024-3-2
Veres és Társai		
Inspection Department	Approve	Date

1、 Product details

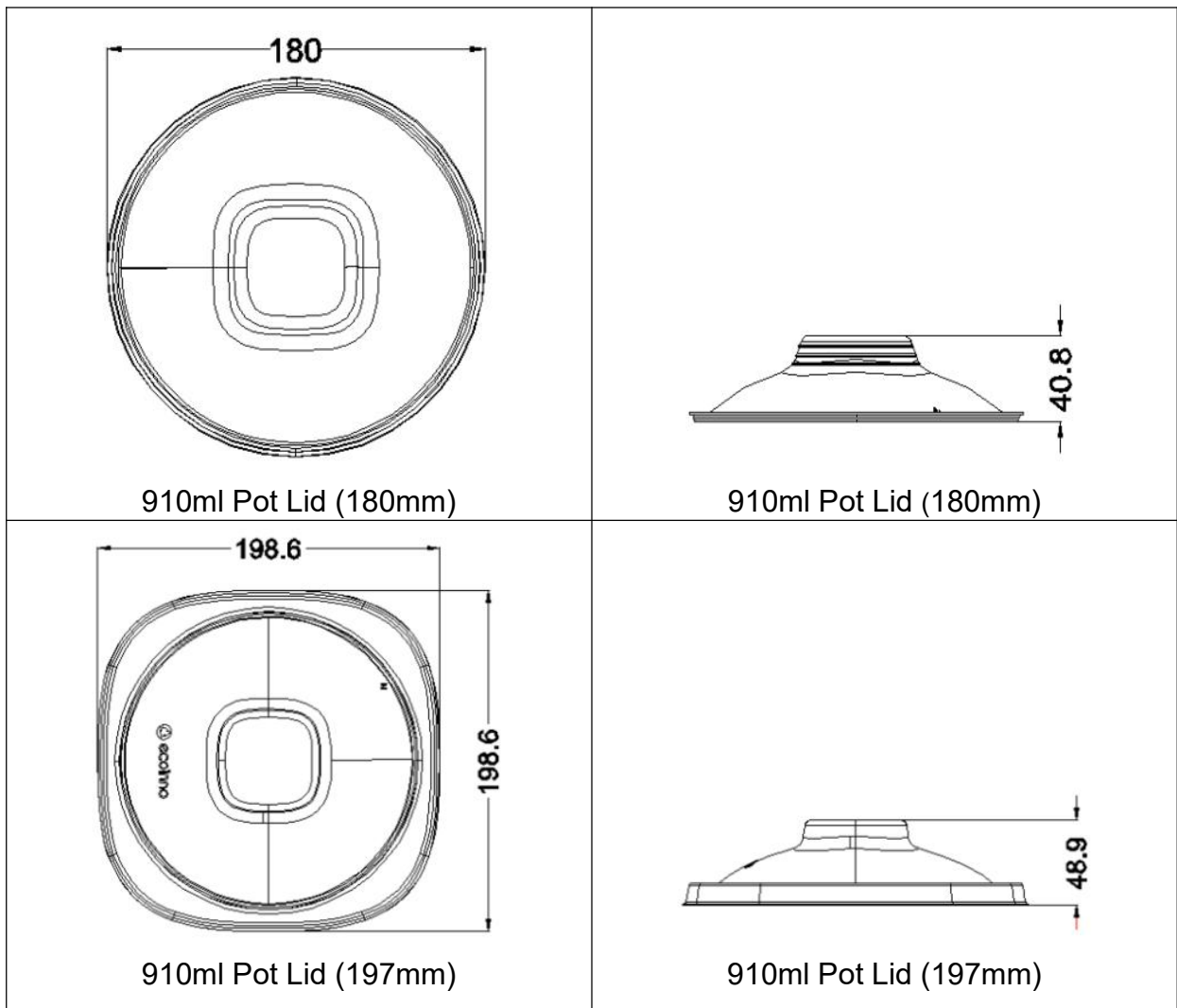
Product	Details
Product name and style number	910ml Claypot, PO0R09101 910ml Pot Lid, LD0R0180GN 910ml Pot Lid, LD0R0197GN
Material	Plant Fiber
Color	Natural
Waterproof	GCM POT: High performance with oil resistance and water resistance. NP LID: Water resistance.

2、 Overall dimension

2.1 Claypot (measurement in mm, tolerance of length, width & height within $\leq 3\%$)



2.2 Pot Lid (measurement in mm, tolerance of length & width within $\leq 3\%$, height $\leq 7\%$)



2.3 Definition for product external & Internal

Internal : body inner of product

External : outer body of product



910ml Claypot



910ml Claypot



910ml Pot Lid (180mm)



910ml Pot Lid (180mm)



910ml Pot Lid (197mm)



910ml Pot Lid (197mm)